



DATA SHEET



Automatic Sustainable Controller ASC-4



1. ASC-4 Solar	
1.1 Overview.....	3
2. ASC-4 Battery	
2.1 Overview.....	4
3. Applications	
3.1 Grid-tied.....	5
3.2 Off-grid.....	7
3.3 Communication protocols.....	9
3.3.1 Compatibility and compliance.....	9
3.3.2 List of supported protocols.....	9
4. Technical information	
4.1 Technical specifications.....	10
4.2 Unit dimensions in mm (inches).....	13
5. Hardware and software	
5.1 Overview and options.....	14
6. Ordering information	
6.1 Order specifications.....	16
6.2 Disclaimer.....	16

1. ASC-4 Solar

1.1 Overview

The ASC-4 Solar controller is designed to combine photovoltaic power with other power sources.



Spinning reserve

The ASC-4 Solar offers spinning reserve support as a percentage of the produced power, as part of an existing superior system (for instance an existing PLC system) or using short-term weather forecasting.

Ideal for self-consumption applications

While in grid parallel mode, the ASC-4 Solar is capable of feeding surplus PV energy to the grid and generate profit in accordance with grid operator feed-in tariffs. Alternatively, the ASC-4 Solar can regulate the PV production to match the self-consumption, thereby preventing any feed-in of PV power to the grid if prohibited by grid operator regulations.

Genset load management

In any operation mode, the ASC Solar automatically maximises the sustainable power penetration, depending on the total load demand, without compromising the minimum genset load requirement.

This is to secure a certain amount of load on the gensets, eliminating the risk of reverse power, as well as impure combustion and exhaust problems.

Key features

- PV integration
- Self-consumption & IPP applications
- PV-Genset-Mains-ESS (energy storage system) applications
- Minimum genset load requirement
- Spinning reserve generation
- Green & brown field applications
- Compatible with ASC-4 Battery, AGC-4 Mk II, AGC-4, AGC 150, and ALC-4
- Power meter interfacing
- Inverter interfacing
- SunSpec support
- Forecast system interfacing
- Meteorological data representation
- Scalable & flexible
- Easy setup with free PC tool
- Plug & play HMI available

Hardware

DEIF-developed platform, manufactured in Denmark. Flexible configuration.

2. ASC-4 Battery

2.1 Overview

The ASC-4 Battery controller is designed to combine electrical storage with other power sources. It features a configurable charge scheme to determine charge/discharge levels as well as sources of energy which can be used for re-charging the battery.

The ASC-4 Battery controller can instruct all gensets to stop, and supply the load from battery alone or in combination with sustainable power production.



Energy & power source

As an energy source (grid forming), the ASC-4 Battery controller acts as if it is the sole supplier without other sources connected. If the load level, battery capacity and state of charge conditions are fulfilled, the gensets are stopped. When the battery is discharged or the load increases beyond the battery capacity, gensets are reconnected.

As a power source (grid following), the ASC-4 Battery controller is used as spinning reserve provider. The controller suppresses genset starts due to spinning reserve requested by the ASC-4 Solar controller.

AC- or DC-coupled

The ASC Battery is ideal for AC- as well as DC-coupled applications.

For AC-coupled systems, you can define battery charging and discharging scheme. Using the charge scheme, you'll also be able to define the energy sources (gensets, PV or mains) that you allow for charging purposes.

For DC-coupled systems, the battery is charged by its own PV bus and the controller is only responsible for the discharging scheme.

Key features

- Electrical storage integration
- Grid-tied and off-grid applications
- Micro-grid applications
- Grid-following (P/Q), and grid-forming (V/f) mode
- Battery droop (power-frequency, and reactive power-voltage)
- AC- and DC-charged systems
- Configurable charge scheme
- Compatible with ASC-4 Solar, AGC-4 Mk II, AGC-4, AGC 150, and ALC-4
- Spinning reserve provider
- PCS interfacing
- BMS interfacing
- Scalable & flexible
- Frequency response
- Easy setup with free PC tool

Hardware

DEIF-developed platform, manufactured in Denmark. Flexible configuration.

3. Applications

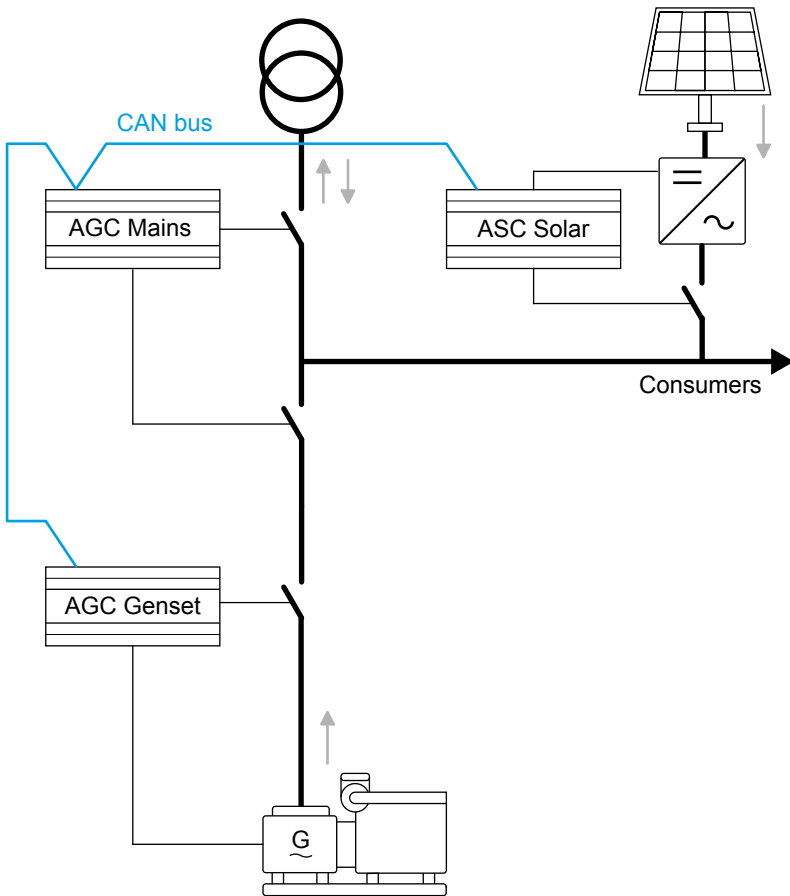
3.1 Grid-tied

The ASC-4 Solar and ASC-4 Battery controllers can integrate seamlessly into grid-tied applications using CAN bus communication.

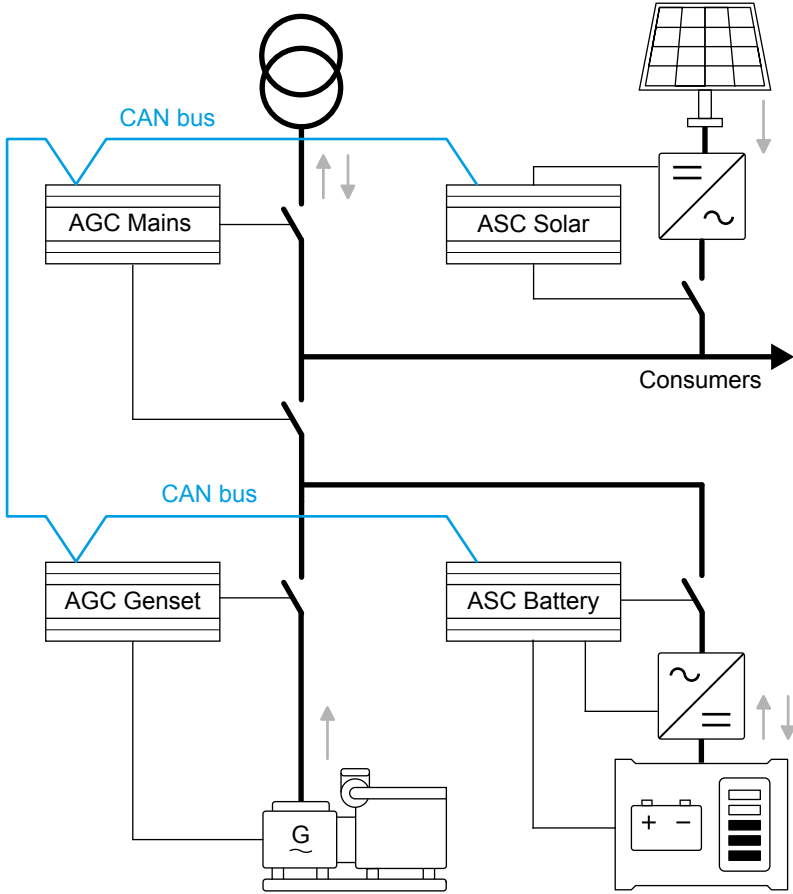
The ASC-4 Solar can feed surplus PV energy to the grid, or charge the energy storage system (ESS). Alternatively, the ASC-4 Solar can regulate the PV production to match the self-consumption, thereby preventing any feed-in of PV power to the grid.

The ASC-4 Battery can use an ESS to take peak loads until generators are started. Alternatively the ASC-4 Battery can provide the spinning reserve for a PV-plant, thereby improving the green energy penetration to the grid.

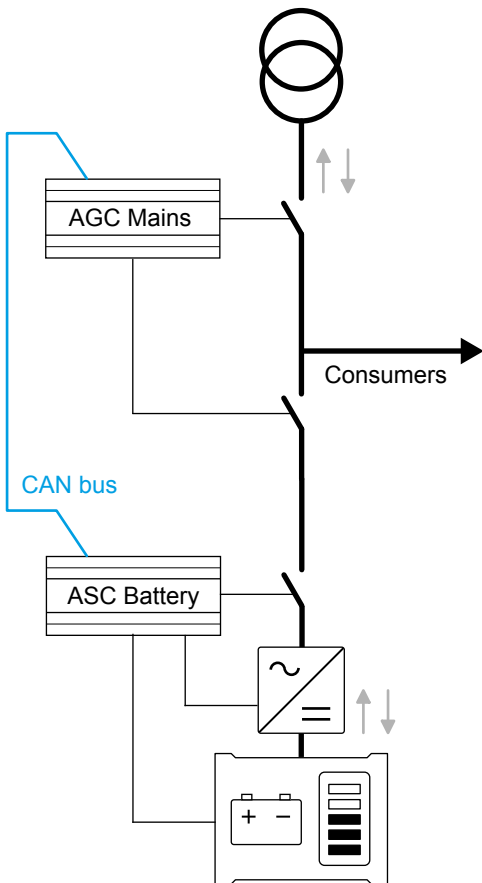
Hybrid solar-genset grid-tied application



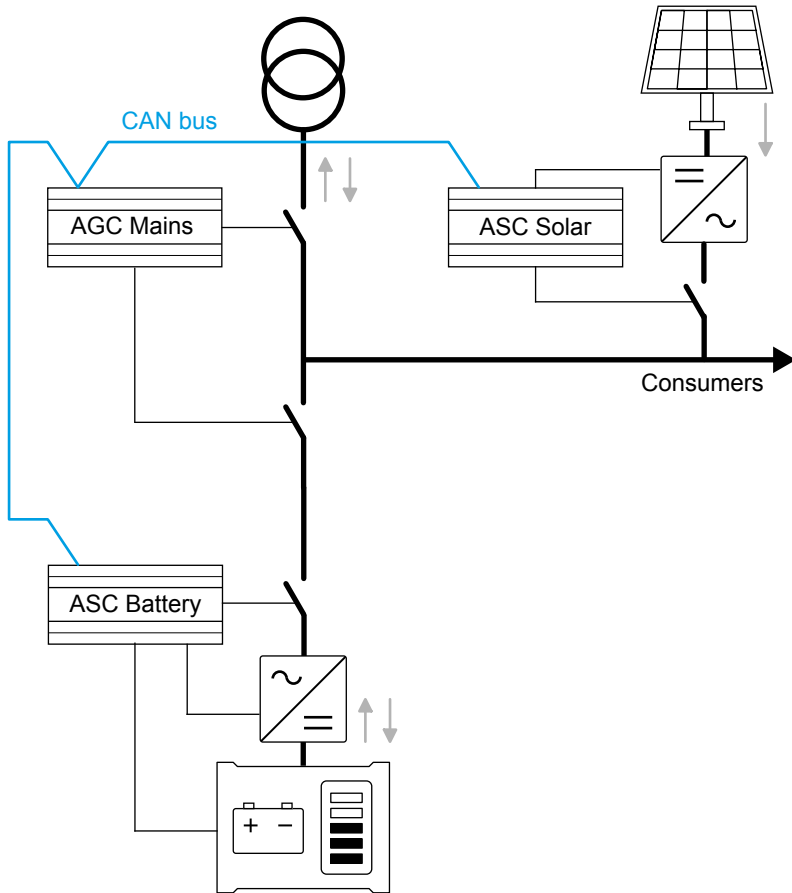
Hybrid solar-genset-battery grid-tied application



Grid-tied battery application



Hybrid solar-battery grid-tied application



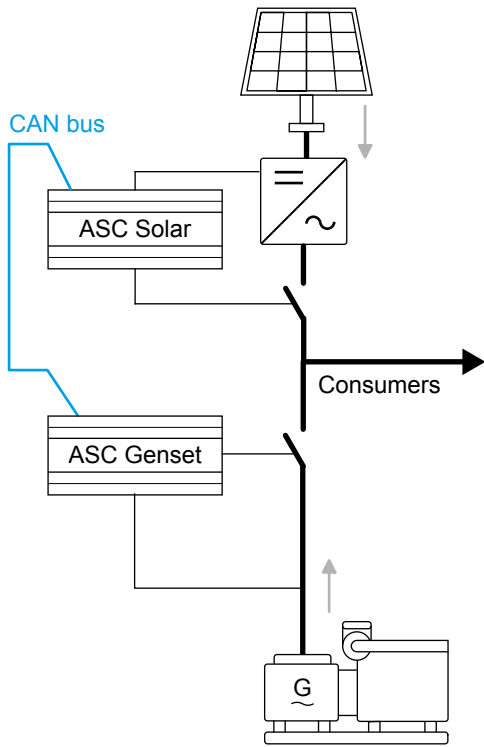
3.2 Off-grid

The ASC-4 Solar and ASC-4 Battery controllers provide flexibility for off-grid applications.

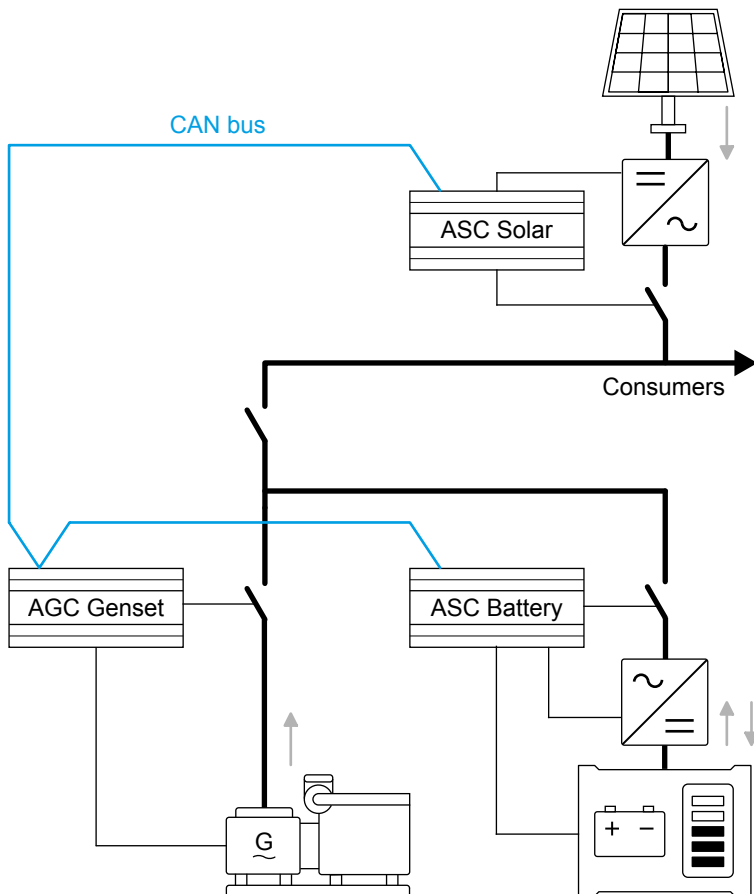
The ASC-4 Solar can work with AGC controllers to combine a PV power plant with a genset power plant. Alternatively the ASC-4 Solar can be stand-alone controller that calculates the power set points for the PV power plant based on power readings and breaker positions.

The ASC-4 Battery can supply peak loads while gensets start to improve power quality. If the ESS is designed to supply the busbar load, the ASC-4 Battery can work with AGC controllers to allow the ESS to be the only source connected to the busbar.

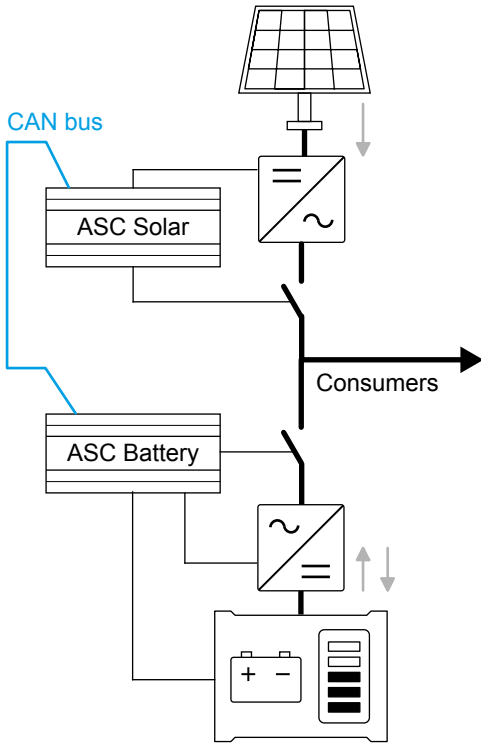
Stand-alone with genset(s) and solar



Stand-alone with genset(s), solar and battery



Stand-alone with solar and battery



3.3 Communication protocols

3.3.1 Compatibility and compliance

DEIF hybrid controllers are compatible with photovoltaic and battery systems from a wide range of manufacturers.

SunSpec compliance

All DEIF hybrid controllers are compliant with the SunSpec standards (see [sunspec.org](https://www.sunspec.org)). DEIF controllers are therefore compatible with new inverters that use the generic SunSpec protocol.

Testing

Many PV inverter makers and battery system makers use the same protocol for a wide range of their products. New PV inverters and battery systems often comply with the older protocol. If a specific inverter or battery management system is not listed here, but the maker is listed, there is a good chance that the DEIF controller is compatible.

If your system is not listed, DEIF can help to confirm compliance using the Modbus protocol documentation.

Implementing new protocols

Since new photovoltaic and battery systems are launched every year, DEIF developers continuously implement new protocols. If your system is not listed, please contact DEIF. We can work with you to quickly implement the required protocol.

3.3.2 List of supported protocols



More information

See the [Application note, DEIF hybrid controller compatibility](#).

4. Technical information

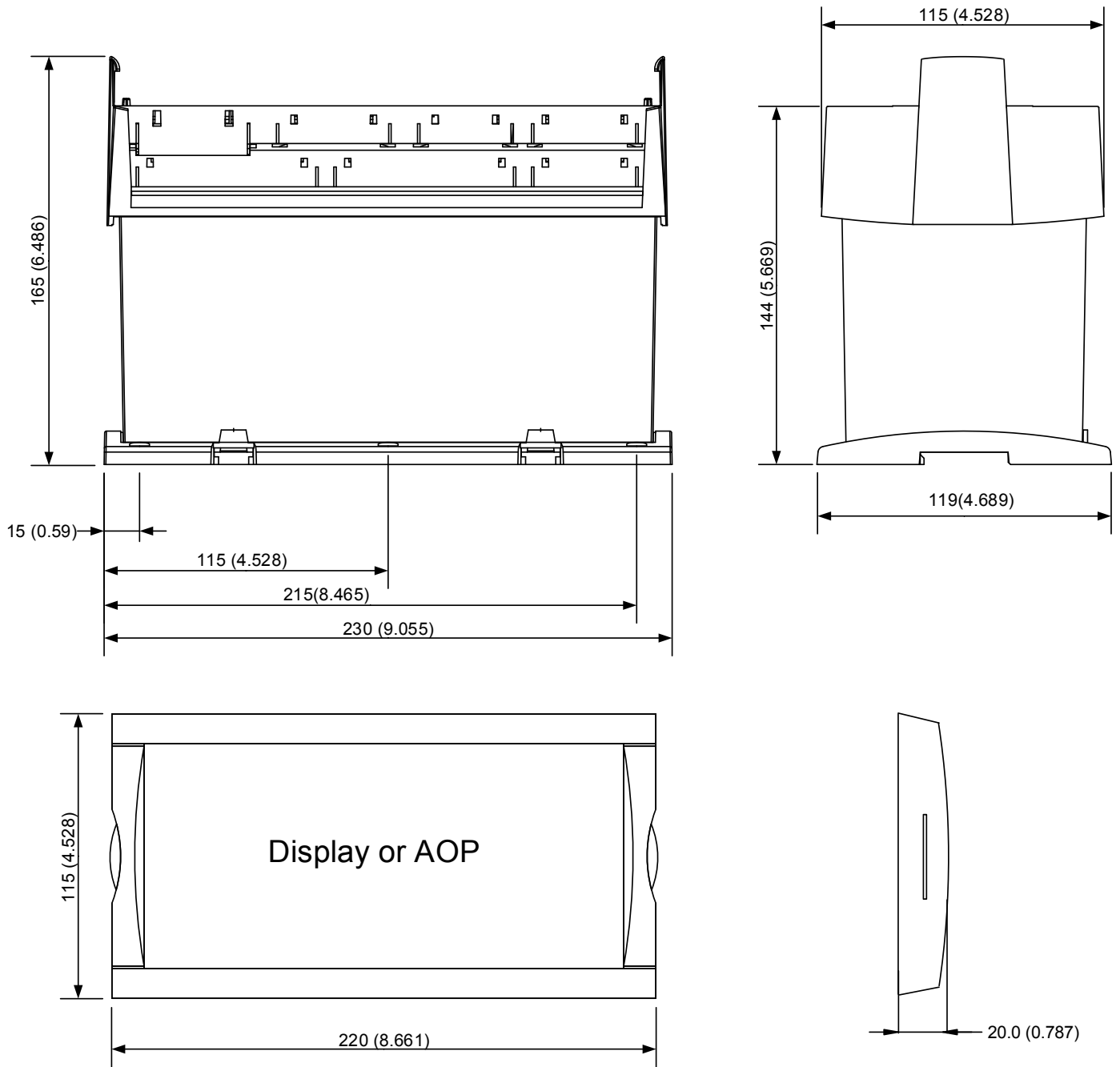
4.1 Technical specifications

Accuracy	<p>Class 1.0 -25 to 15 to 30 to 70 °C Temperature coefficient: ± 0.2 % of full scale per 10 °C Class 0.5 with option Q1 Averaged frequency: ± 10 mHz, 15 to 30 °C, 45 to 65 Hz</p> <p>Positive, negative and zero sequence alarms: Class 1 within 5 % voltage unbalance Class 1.0 for negative sequence current Fast over-current: 3 % of $350 \% I_n$ Analogue outputs: Class 1.0 according to total range Option EF4/EF5: Class 4.0 according to total range To IEC/EN 60688</p>
Operating temperature	<p>-25 to 70 °C (-13 to 158 °F) -25 to 60 °C (-13 to 140 °F) if Modbus TCP/IP (option N) is available in the controller (UL/cUL Listed: Max. surrounding air temperature: 55 °C/131 °F)</p>
Storage temperature	-40 to 70 °C (-40 to 158 °F)
Climate	97 % RH to IEC 60068-2-30
Operating altitude	<p>0 to 4000 m above sea level Derating 2001 to 4000 m above sea level: Max. 480 V AC phase-phase 3W4 measuring voltage Max. 690 V AC phase-phase 3W3 measuring voltage</p>
Measuring voltage	<p>100 to 690 V AC ± 20 % (UL/cUL Listed: 600 V AC phase-phase) Consumption: Max. 0.25 VA/phase</p>
Measuring current	<p>-/1 or -/5 A AC (UL/cUL Listed: from CTs 1 to 5 A) Consumption: Max. 0.3 VA/phase</p>
Current overload	<p>$4 \times I_n$ continuously $20 \times I_n$, 10 sec (max. 75 A) $80 \times I_n$, 1 sec (max. 300 A)</p>
Measuring frequency	30 to 70 Hz
Aux. supply	<p>Terminals 1 and 2: 12/24 V DC nominal (8 to 36 V DC operational). Max. 11 W consumption Battery voltage measurement accuracy: ± 0.8 V within 8 to 32 V DC, ± 0.5 V within 8 to 32 V DC @ 20 °C Terminals 98 and 99: 12/24 V DC nominal (8 to 36 V DC operational). Max. 5 W consumption 0 V DC for 10 ms when coming from at least 24 V DC (cranking dropout) The aux. supply inputs are to be protected by a 2 A slow blow fuse. (UL/cUL Listed: AWG 24)</p>
Digital inputs	<p>Optocoupler, bi-directional ON: 8 to 36 V DC Impedance: 4.7 kΩ OFF: <2 V DC</p>
Analogue inputs	<p>-10 to +10 V DC: Not galvanically separated. Impedance: 100 kΩ (G3) 0(4) to 20 mA: Impedance 50 Ω. Not galvanically separated (M15.X)</p>

Multi-inputs	0(4) to 20 mA: 0 to 20 mA, ± 1 %. Not galvanically separated Digital: Max. resistance for ON detection: 100 Ω . Not galvanically separated Pt100/1000: -40 to 250 $^{\circ}\text{C}$, ± 1 %. Not galvanically separated. To IEC/EN60751 RMI: 0 to 1700 Ω , ± 2 %. Not galvanically separated V DC: 0 to 40 V DC, ± 1 %. Not galvanically separated
Relay outputs	Electrical rating: 250 V AC/30 V DC, 5 A. (UL/cUL Listed: 250 V AC/24 V DC, 2 A resistive load) Thermal rating @ 50 $^{\circ}\text{C}$: 2 A: Continuously. 4 A: $t_{\text{on}} = 5$ sec, $t_{\text{off}} = 15$ sec (Unit status output: 1 A)
Open collector outputs	Supply: 8 to 36 V DC, max. 10 mA (terminal 20, 21, 22 (com))
Analogue outputs	0(4) to 20 mA and ± 25 mA. Galvanically separated. Active output (internal supply). Load max. 500 Ω . (UL/cUL Listed: Max. 20 mA output) Update rate: Transducer output: 250 ms. Regulator output: 100 ms
Galvanic separation	Between AC voltage and other I/Os: 3250 V, 50 Hz, 1 min Between AC current and other I/Os: 2200 V, 50 Hz, 1 min Between analogue outputs and other I/Os: 550 V, 50 Hz, 1 min Between digital input groups and other I/Os: 550 V, 50 Hz, 1 min
Response times (delay set to min.)	Mains/Busbar Over-/under-voltage: <50 ms Over-/under-frequency: <50 ms Voltage unbalance: <250 ms Inverter/Power converter Over-current: <250 ms Over-/under-voltage: <250 ms Over-/under-frequency: <350 ms Overload: <250 ms Other Digital inputs: <250 ms Emergency stop: <200 ms Multi-inputs: 800 ms Wire failure: <600 ms
Mounting	DIN rail mount or base mount with six M4 screws Tightening torque: 1.5 Nm for the six M4 screws (countersunk screws are not to be used)
Safety	To EN 61010-1, installation category (over-voltage category) III, 600 V, pollution degree 2 To UL 508 and CSA 22.2 no. 14-05, over-voltage category III, 600 V, pollution degree 2
EMC/CE	To EN 61000-6-2, EN 61000-6-4, IEC 60255-26
Vibration	3 to 13.2 Hz: 2 mm _{pp} . 13.2 to 100 Hz: 0.7 g. To IEC 60068-2-6 & IACS UR E10 10 to 58.1 Hz: 0.15 mm _{pp} . 58.1 to 150 Hz: 1 g. To IEC 60255-21-1 Response (class 2) 10 to 150 Hz: 2 g. To IEC 60255-21-1 Endurance (class 2) 3 to 8.15 Hz: 15 mmpp. 8.15 - 35 Hz 2g. To IEC 60255-21-3 Seismic (class 2)
Shock (base mount)	10 g, 11 ms, half sine. To IEC 60255-21-2 Response (class 2) 30 g, 11 ms, half sine. To IEC 60255-21-2 Endurance (class 2) 50 g, 11 ms, half sine. To IEC 60068-2-27
Bump	20 g, 16 ms, half sine. To IEC 60255-21-2 (class 2)
Material	All plastic materials are self-extinguishing according to UL94 (V1)

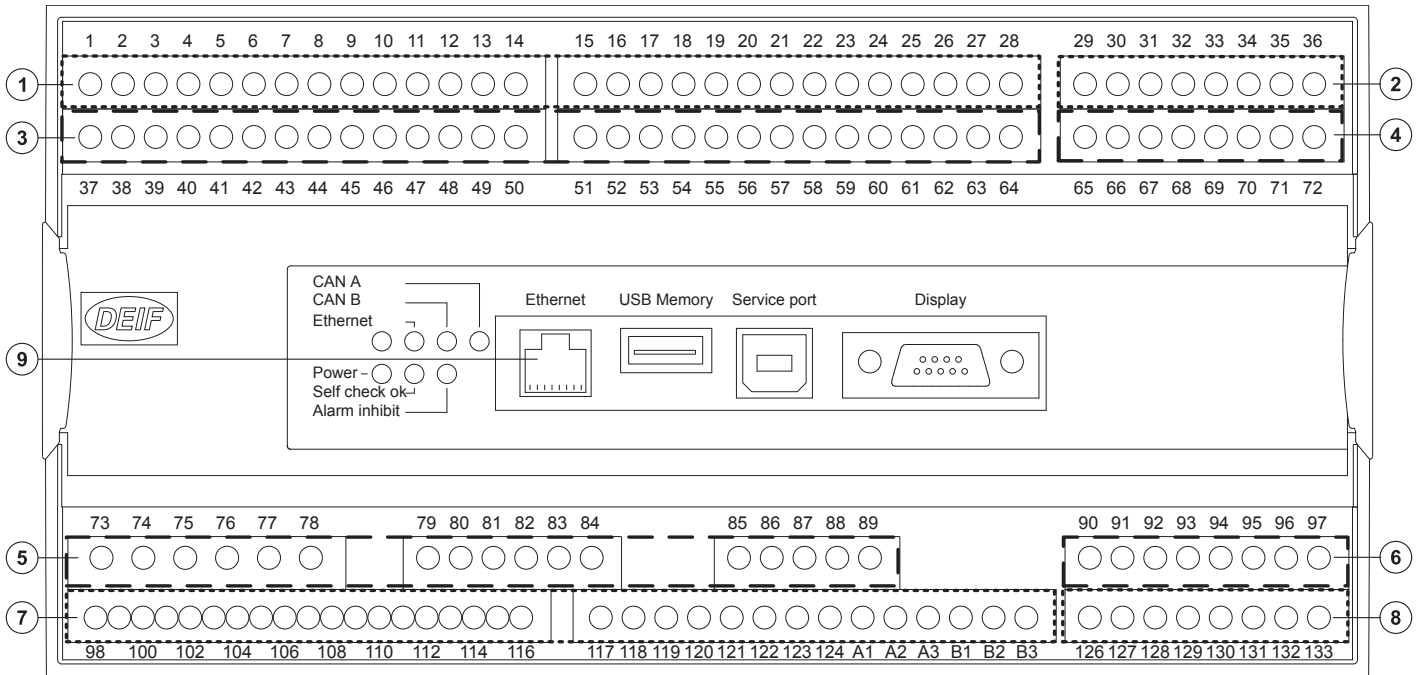
Plug connections	<p>AC current: 0.2 to 4.0 mm² stranded wire. (UL/cUL Listed: AWG 18) AC voltage: 0.2 to 2.5 mm² stranded wire. (UL/cUL Listed: AWG 20) Relays: (UL/cUL Listed: AWG 22) Terminals 98-116: 0.2 to 1.5 mm² stranded wire. (UL/cUL Listed: AWG 24) Other: 0.2 to 2.5 mm² stranded wire. (UL/cUL Listed: AWG 24) Tightening torque: 0.5 Nm (5-7 lb-in)</p> <p>Display: 9-pole D-sub female Tightening torque: 0.2 Nm</p> <p>Service port: USB A-B</p>
Protection	<p>Unit: IP20. Display: IP40 (IP54 with gasket: Option L). (UL/cUL Listed: Type Complete Device, Open Type). To IEC/EN 60529</p>
Approvals	<p>UL/cUL Listed to UL508 Applies to VDE-AR-N 4105</p> <p>See www.deif.com for the most recent approvals.</p>
UL markings	<p>Wiring: Use 60/75 °C copper conductors only Mounting: For use on a flat surface of type 1 enclosure Installation: To be installed in accordance with the NEC (US) or the CEC (Canada)</p> <p>AOP-2 Maximum ambient temperature: 60 °C Wiring: Use 60/75 °C copper conductors only Mounting: For use on a flat surface of type 3 (IP54) enclosure. Main disconnect must be provided by installer Installation: To be installed in accordance with the NEC (US) or the CEC (Canada)</p> <p>DC/DC converter for AOP-2 Wire size: AWG 22-14 Tightening torque: 0.5 Nm (4.4 lb-in) Panel door mounting: 0.7 Nm D-sub screw: 0.2 Nm</p>
Weight	<p>Base unit: 1.6 kg (3.5 lbs) Option J1/J4/J6/J7: 0.2 kg (0.4 lbs) Option J2: 0.4 kg (0.9 lbs) Option J8: 0.3 kg (0.58 lbs) Display: 0.4 kg (0.9 lbs)</p>

4.2 Unit dimensions in mm (inches)



5. Hardware and software

5.1 Overview and options



① : The numbers in the drawing above refer to the slot numbers shown in the table below.

Slot #	Option/standard	Description
1		Terminal 1-28, power supply
	Standard	8 to 36 V DC supply, 11 W; 1 × status output relay; 5 × relay outputs; 2 × pulse outputs (kWh, kvarh or configurable open collector outputs); 5 × digital inputs
2		Terminal 29-36, communication
	Standard (H2.2)	Modbus RTU (RS-485). Can work as slave or as master for inverter communication.
	M13.2	7 × binary inputs
	M14.2	4 × relay outputs
3		Terminal 37-64, inputs/outputs
	M12	13 × digital inputs; 4 × relay outputs
4		Terminal 65-72, inputs/outputs
	E2	2 × 0(4) to 20 mA outputs, transducer
	M13.4	7 × binary inputs
	M14.4	4 × relay outputs
5		Terminal 73-89, AC measuring
	Standard	3 × PV/ESS current; 3 × PV/ESS voltage + N; 3 × busbar voltage + N

Slot #	Option/standard	Description
6		Terminal 90-97, inputs/outputs
	F1	2 × 0(4) to 20 mA outputs, transducer
	M13.6	7 × digital inputs
	M14.6	4 × relay outputs
	M15.6	4 × 4 to 20 mA inputs
7		Terminal 98-124-A1-A3-B1-B3, communication, inputs/outputs
	M4	8 to 36 V DC supply; 3 × multi-inputs; 7 × digital inputs; 4 × relay outputs Power management communication, CAN port A and B
8		Terminal 126-133, inputs/outputs
	H2.8	Modbus RTU (RS-485). Can work as slave or as master for power meter communication.
	M13.8	7 × digital inputs
	M14.8	4 × relay outputs
	M15.8	4 × 4 to 20 mA inputs
9		LED I/F
	N	Modbus TCP/IP
Accessories		
		AOP-1
		DU-2
Additional options		
	G5	Power management
	I1	System emulation
	Q1	Class 0.5 calibration
	T1	Critical power
	W1	One-year extended warranty
	W2	Two-year extended warranty
	W3	Three-year extended warranty



INFO

There can only be one hardware option in each slot. For example, it is not possible to select option H2.2 and option M13.2 at the same time, because both options require a PCB in slot #2.

6. Ordering information

6.1 Order specifications

Variants

Type	Options specification				
Type	Option	Option	Option	Option	Option

Example:

Type	Options specification				
Type	Option	Option	Option	Option	Option
ASC-4 Solar	H2	M14.4	M13.6	M15.8	

6.2 Disclaimer

DEIF A/S reserves the right to change any of the contents of this document without prior notice.

The English version of this document always contains the most recent and up-to-date information about the product. DEIF does not take responsibility for the accuracy of translations, and translations might not be updated at the same time as the English document. If there is a discrepancy, the English version prevails.